



Injecto-Flo AO-1 Air Operated Pumps

DESCRIPTION

The AO-1 air operated pump is a positive displacement, single stroke pump that delivers 13 cm³ (.80 in³). The AO-1 pump is controlled by a remote mounted 3-way air solenoid valve. (**Note:** Valve purchased separately) Activating this valve allows filtered, regulated, and lubricated air to move both the power piston and the lubricant piston. The resulting lubricant flow pressurizes the system mainlines causing the piston distributors to dispense a measured volume of lubricant to the bearing points. De-energizing the solenoid valve allows air pressure on the power piston to be exhausted which permits the piston return spring to move both the power piston and lubricant pistons back to the prime position. The built in vent valve is simultaneously released which vents mainline lubricant pressure allowing the piston distributors to re-prime for the next cycle.



DIMENSIONS

Reservoir Size Liters (Pints)	Dimensions [mm (inches)]					
	A	B	C	D	E	F
2 (4)	237.0 (9.33)	186.0 (7.32)	118.0 (4.65)	123.0 (4.84)	148.0 (5.83)	125.0 (4.92)
5 (10)	232.0 (9.13)	181.0 (7.13)	—	152.0 (5.98)	236.0 (9.29)	167.0 (6.57)

ORDERING INFORMATION

PUMP PACKAGES		
Reservoir Size Liters (Pints)	Reservoir Material	Part Number
2 (4)	Plastic	126-400-100
5 (10)	Steel	126-400-130
SPARE PARTS		
Replacement Outlet Nut 6mm Tube		435-702-466
Replacement Outlet Ferrule 6mm Tube		435-702-421
Outlet Adapter M12x1 (M) to 1/4 NPTF (F)		435-702-471

SPECIFICATIONS

Materials:Aluminum and steel pump, nylon, or metal reservoir

Output (Max.):..... 13 cm³ (0.80in³) per stroke

Pump Pressure Ratio: (lube out / air in) 4.5:1

Air Pressure:4-7 bar (60-100 psi)

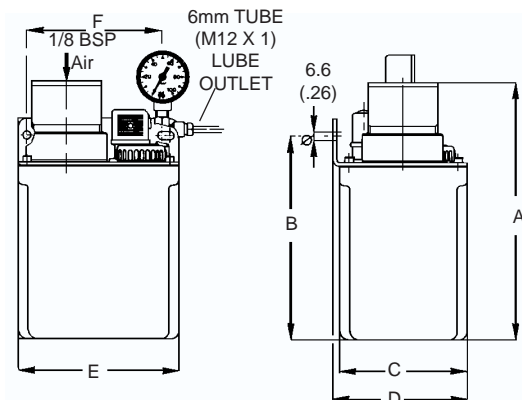
Oil Viscosity:ISO 50-1000 (250-5000 SUS)

Low Level Switch:..... 10w @ 115/230 VAC,
5w @ 24 VDC, N.C. contacts

Off Time Between Cycles (Min.):..... 15 seconds

On Time (Min.):.....5 seconds

Note: Due to the single stroke operation of this pump, total System Discharge Volume must not exceed 50% of pump delivery 6.5 cm³ (0.40in³).



All written and visual data contained in this document are based on the latest product information available at the time of publication. Graco reserves the right to make changes at any time without notice

Call today for product information or to request a demonstration.

1.800.U.S.A.LUBE (1-800-872-5823) or visit us at www.lubriquip.graco.com.

©2006 Graco Inc. Bulletin 12601, May 2007. Printed in U.S.A.

All other brand names or marks are used for identification purposes and are trademarks of their respective owners.

