

Divider Valve Installation Accessories

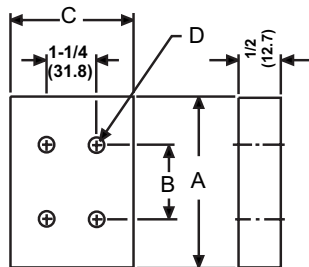
Steel Mounting Bars, Brackets & Tube Clips to Simplify Installation of MD, MSP, & MX Divider Valves



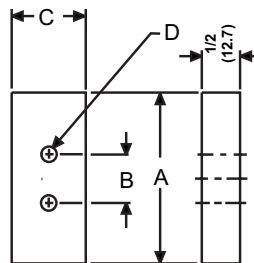
MOUNTING BARS

Cold finished, 1/2" (12.7 mm) thick bars are designed for welding to uneven metal surfaces. Tapped holes are provided for mounting the divider valves.

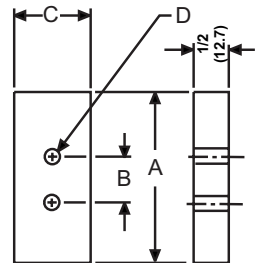
MD Divider Valve Mounting Bar, Part No. 543-602-000



MSP & MH Divider Valve Mounting Bar, Part No. 527-002-260



MJ, Part No. 543-604-000, and MX & MXP, Part No. 543-605-000 Divider Valve Mounting Bars



MSP Mounting Bar Kit No. 527-004-980 includes 2 mounting bars, 4 screws, washers and lockwashers.

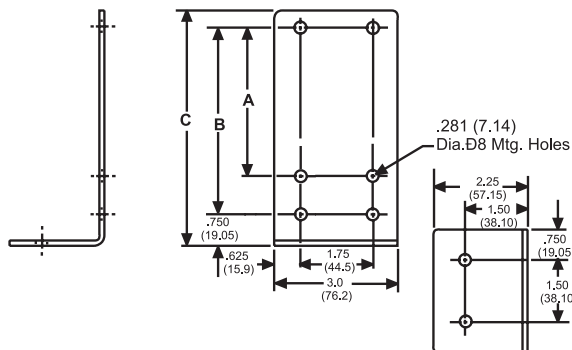
Mounting Bars for MD, MSP, MJ and MX Divider Valves

For Divider Valve Model	Dimensions/inches (mm)				Wt./oz. (kg)	Order Part No.
	A	B	C	D (Thd)		
MD	4 (101.6)	2-1/8 (53.98)	2 (50.8)	1/4-20	22 (0.62)	543-602-000
MSP	4 (101.6)	1-3/4 (44.5)	1 (25.4)	1/4-20	12 (0.34)	527-002-260
MJ	3 (76.2)	3/4 (19.05)	3/4 (19.05)	10-24	8 (0.22)	543-604-000
*MX & MXP	6 (152.4)	1-7/8 (47.6) & 3" (76.2)	1-1/2 (38.1)	5/16-18	30 (0.56)	543-605-000

* Drilled with two sets of mounting holes

MOUNTING BRACKETS

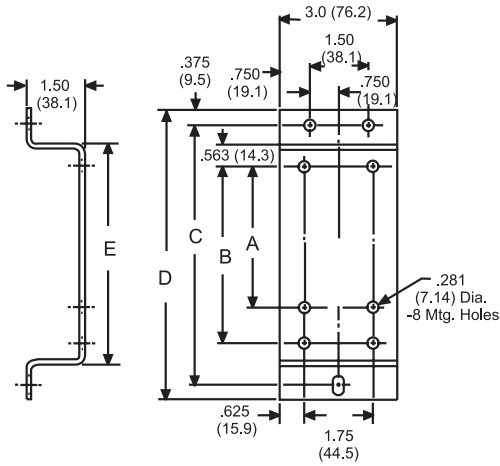
Cold rolled steel brackets, 1/8" (3.175 mm) thick, are plated to resist corrosion. Holes in bracket are provided for mounting the bracket to the equipment and the divider valve to the bracket. Each bracket is shipped with the screws, lockwashers and nuts necessary to mount the divider valve to the bracket.



Top Mounting Brackets for MSP & MH Divider Valves

For Divider Valve Model	Dimensions/inches (mm)			Order Part No.
	A	B	C	
MSP & MH M-3 & 4	3-37/64 (90.9)	4-1/2 (114.3)	5-21/32 (143.7)	527-002-010
MSP & MH M-5 & 6	5-27/64 (137.7)	6-11/32 (161.1)	7-1/2 (190.5)	527-002-020
MSP & MH M-7 & 8	7-17/64 (184.5)	8-3/16 (208.0)	9-11.32 (237.3)	527-002-030

MOUNTING BRACKETS Cont'd



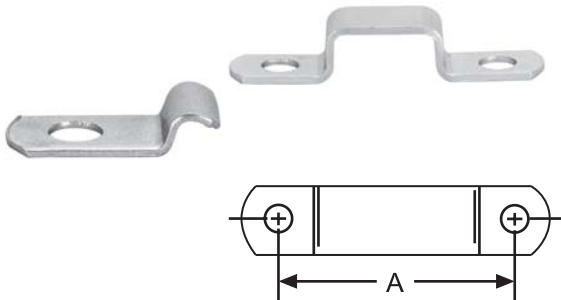
Side Mounting Brackets for MSP & MH Divider Valves

For Divider Valve Model	Dimensions/inches (mm)					Order Part No.
	A	B	C	D	E	
MSP & MH M-3 & 4	3-37/64 (90.9)	4-1/2 (114.3)	6-5/8 (168.3)	7-3/8 (187.3)	5-5/8 (142.9)	527-002-040
MSP & MH M-5 & 6	5-27/64 (137.7)	6-11/32 (161.1)	8-15/32 (215.1)	9-7/32 (234.2)	7-15/32 (189.7)	527-002-050
MSP & MH M-7 & 8	7-17/64 (184.5)	8-3/16 (208.0)	10-5/16 (262.0)	11-1/16 (281.0)	9-5/16 (236.5)	527-002-060

TUBE CLIPS

Clips for 3/16", 1/4 and 3/8" (4.76, 6.35 & 9.525mm) OD tube.

All clips are plated and provided with 17/64" (6.75mm) mounting holes.



Also available:

Item	Order Part No.
Self-tapping screws 1/4-20 x 1/2	415-210-020

Tube Clips / in (mm)

No. of tubes held	3/16 (4.76) OD Tube		1/4 (6.35) OD Tube		3/8 (9.52) OD Tube	
	Dim. A	Order Part No.	Dim. A	Order Part No.	Dim. A	Order Part No.
1	-	500-971-000	-	500-981-000	-	500-991-000
2	1.37 (34.8)	500-972-000	1.43 (936.3)	500-982-000	1.62 (41.3)	500-992-000
3	1.50 (38.1)	500-973-000	1.62 (41.1)	500-983-000	2.00 (50.8)	500-993-000
4	1.68 (42.7)	500-974-000	1.87 (47.5)	500-984-000	2.37 (60.2)	500-994-000
5	1.75 (44.5)	500-975-000	2.12 (53.8)	500-985-000	-	-
6	2.00 (50.8)	500-976-000	2.37 (60.2)	500-986-000	-	-

All written and visual data contained in this document are based on the latest product information available at the time of publication. Graco reserves the right to make changes at any time without notice.

Call today for product information or to request a demonstration.
1.800.USA.LUBE (1-800-872-5823) or visit us at www.lubriquip.graco.com.

